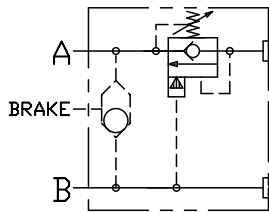
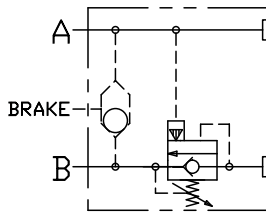


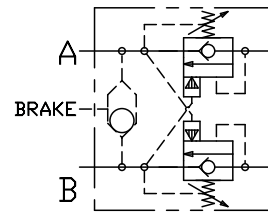
MOTOR MOUNT COUNTERBALANCE



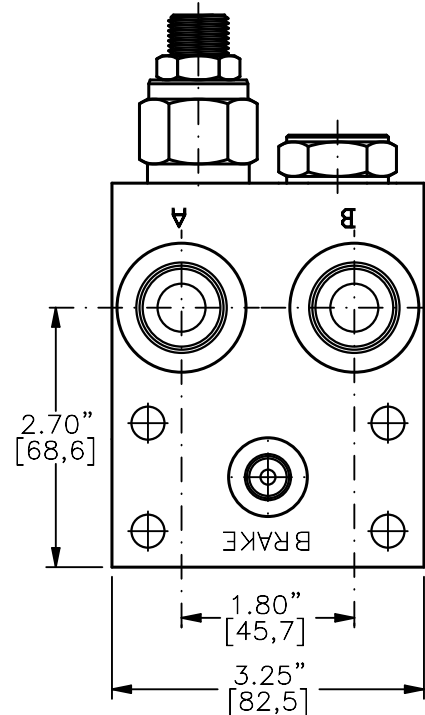
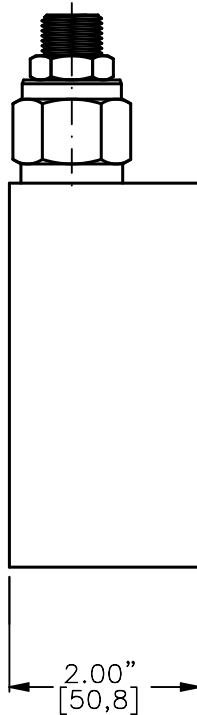
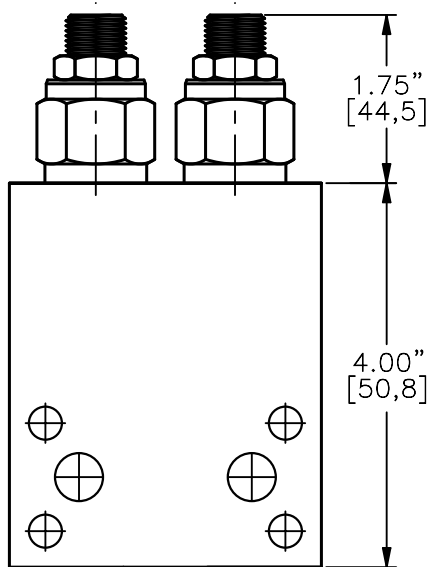
TYPE "A"
"D"/SHUTTLE



TYPE "B"
"E"/SHUTTLE



TYPE "C"
"F"/SHUTTLE



MMCB-10-X-X-X-10TA-XX

BASIC
SIZE
10 = 7/8"-14UNF
SEALS
N = BUNA "N"
V = VITON
ADJUSTMENT
C = CAPPED
S = SCREW
T = TAMPERPROOF

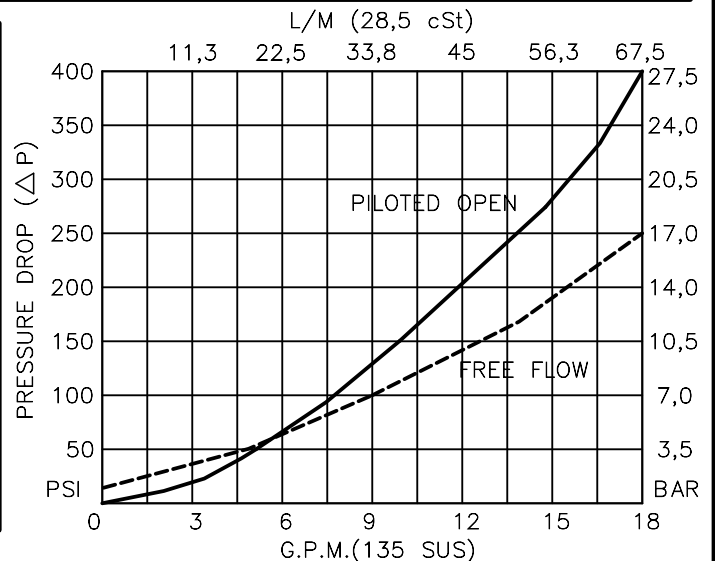
PRESSURE RANGE
15 = 100 TO 1500 PSI
30 = 300 TO 3000 PSI

PORTS
10TA = SAE - #10

OTHER PORTS AVAILABLE
UPON REQUEST

TYPE
"A", "B", "C", "D", "E" & "F"
(SEE OTHER SIDE PAGE 13-130.1)

FOR ADJUSTMENT CONTROL
OPTIONS SEE PAGE 0-050.0



MOTOR MOUNT COUNTERBALANCE**DESCRIPTION**

THIS UNIT IS A COUNTERBALANCE VALVE TO MOUNT ON TO A LOW SPEED HIGH TORQUE HYDRAULIC MOTOR SUCH AS EATON, WHITE, PARKER (HPI & ROSS), DANFOSS, ETC. WITH MANIFOLD MOUNTING DIMENSIONS SPECIFIED ON PAGE 13-010.0
SEE PAGE 8-052.0 FOR MORE INFORMATION ON PERFORMANCE DATA AND OTHER OPTIONS OF THE CARTRIDGE #CBPA-10-N-S-0-XX.

OPERATIONS

TYPE	PORT COUNTERBALANCED	CARTRIDGE VALVE
A	"A"	CBPA-10-X-X-0-XX
B	"B"	CBPA-10-X-X-0-XX
C	"A" & "B"	CBPA-10-X-X-0-XX
D	"A" E	WITH BRAKE SHUTTLE
E	"B"	WITH BRAKE SHUTTLE
F	"A" & "B"	WITH BRAKE SHUTTLE

SPECIFICATIONS

OPERATING PRESSURE: 3000 PSI [210 BAR].

OPERATING TEMPERATURE: -40 TO +250 F [-40 TO +120 C].

OPERATING MEDIA: ALL GENERAL PURPOSE HYDRAULIC FLUIDS.

BRAKE PORT WHEN REQUIRED IS SAE-#4 (7/16"-20 UNF THD.)

MATERIAL: ANODIZED ALUMINIUM ALLOY BODY.

PILOT RATIO: 4 TO 1.

OPTIONAL: PROVISIONS CAN BE MADE TO CLEAR THE MOUNTING BOLT ON THE SAE "A" FLANGE MOUNT MOTOR WITH MOUNTING HOLE ON THE SAME SIDE AS THE WORKING PORTS "A" AND "B".

info.el@bucherhydraulics.com

www.bucherhydraulics.com/commoncavity

© 2015 by Bucher Hydraulics, Inc., 2545 Northwest Parkway, Elgin, Illinois 60124, USA

All rights reserved.

Data is provided for the purpose of product description only, and must not be construed as warranted characteristics in the legal sense. The information does not relieve users from the duty of conducting their own evaluations and tests. Because the products are subject to continual improvement, we reserve the right to amend the product specifications contained in this catalogue.