
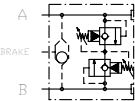
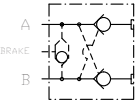
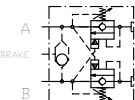


Motor Mount Valves

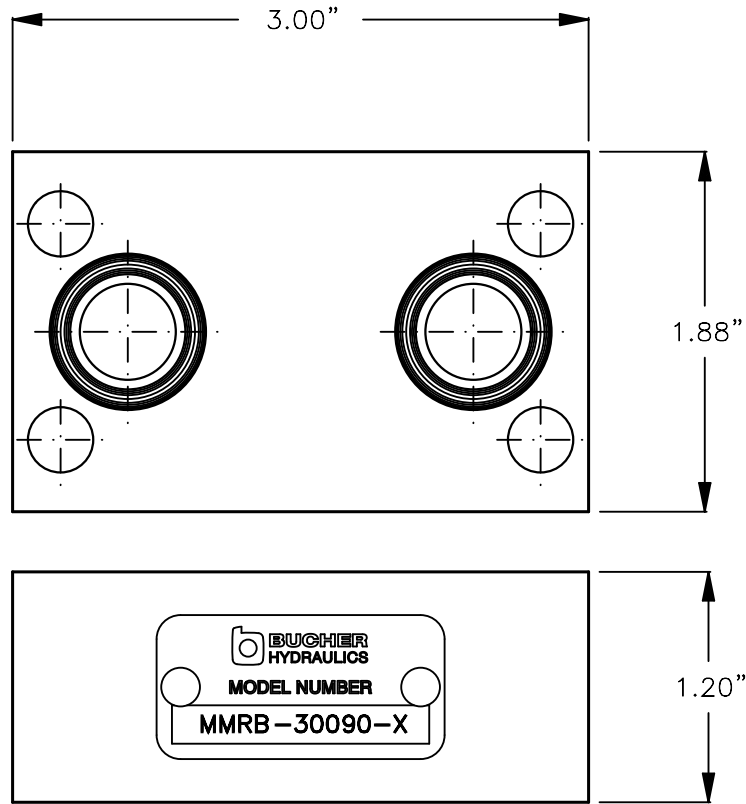
	MODEL	DESCRIPTION	FLOW	CAVITY	PAGE NO.
	MMRB-30090	MANIFOLD MOUNT RISER BLOCK			13-010.1
	MMRV-10	MOTOR MOUNT RELIEF VALVE	26 GPM	C1020	13-110.0
	MMPC-10	MOTOR MOUNT PILOTED CHECK	18 GPM	C1025	13-120.0
	MMCB-10 MMCB-12	MOTOR MOUNT COUNTERBALANCE	20 GPM 35 GPM	C1025 C1225	13-130.0 13-131.0

GENERAL INFORMATION FOR MOTOR MOUNT VALVES (ABOVE)

MOTOR MOUNT PORTS (INTERFACE SPECIFICATION)

13-010.0

MOTOR MOUNT RISER BLOCK



MMRB-30090-X

BASIC ———
MOTOR MOUNT RISER BLOCK

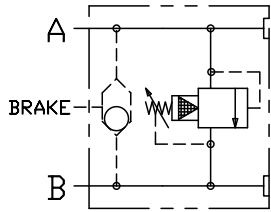
SEALS
N = BUNA (12113)
V = VITON (14113)

DESCRIPTION

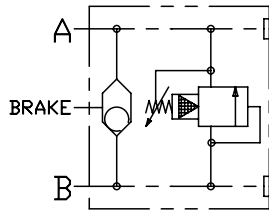
THIS UNIT IS A RISER BLOCK TO MOUNT IN BETWEEN THE VALVE AND A LOW SPEED HIGH TORQUE HYDRAULIC MOTOR SUCH AS EATON, WHITE, PARKER (HPI & ROSS), DANFOSS, ETC. WITH MANIFOLD MOUNTING DIMENSIONS SPECIFIED ON PAGE 13-010.0 TO CLEAR A LARGE REAR FLANGE OR A BRAKE.

MATERIAL: ANODIZED ALUMINUM ALLOY.

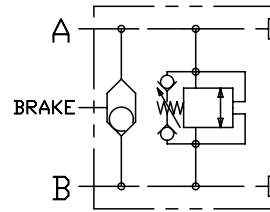
MOTOR MOUNT RELIEF VALVE



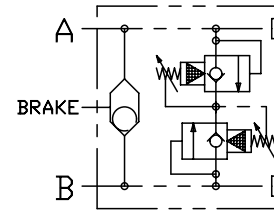
TYPE "A"
"E"/SHUTTLE



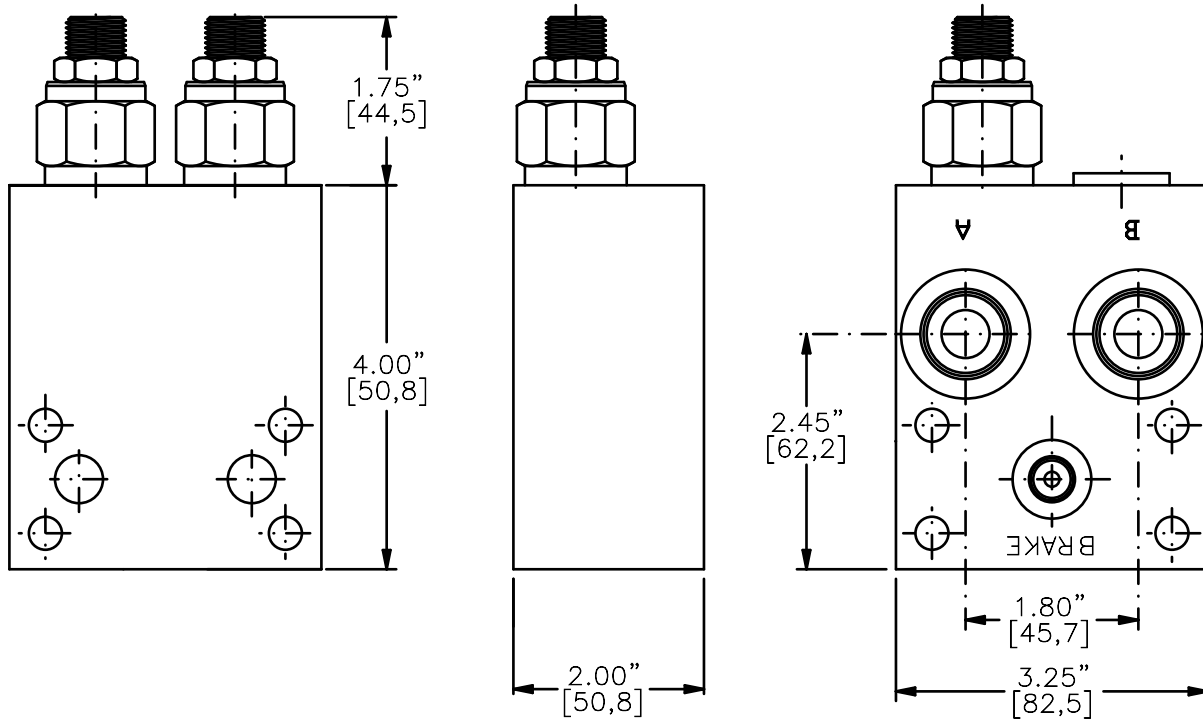
TYPE "B"
"F"/SHUTTLE



TYPE "C"
"G"/SHUTTLE



TYPE "D"
"H"/SHUTTLE



MMRV-10-X-X-X-10TA-XX-XX

BASIC

SIZE
10 = 7/8"-14UNF

SEALS
N = BUNA "N"
V = VITON

ADJUSTMENT
C = CAPPED
S = SCREW
T = TAMPERPROOF

USE ON
"D" & "H" ONLY

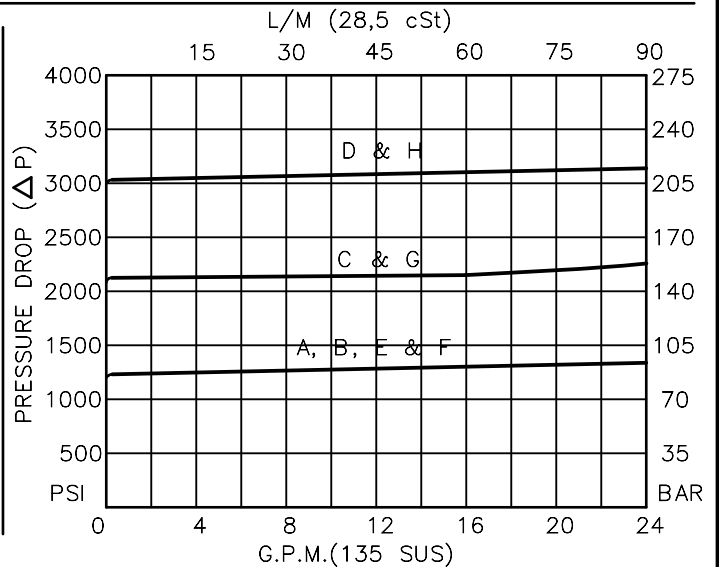
PRESSURE RANGE
15 = 0 TO 1500 PSI
30 = 0 TO 3000 PSI

PORTS
10TA = SAE - #10

OTHER PORTS AVAILABLE
UPON REQUEST

TYPE
"A", "B", "C", "D", "E", "F", "G" & "H"
(SEE OTHER SIDE PAGE 13-110.1)

FOR ADJUSTMENT CONTROL
OPTIONS SEE PAGE 0-050.0



MOTOR MOUNT RELIEF VALVE

DESCRIPTION

THIS UNIT IS A CROSS PORT RELIEF VALVE TO MOUNT ON TO A LOW SPEED HIGH TORQUE HYDRAULIC MOTOR SUCH AS EATON, WHITE, PARKER (HPI & ROSS), DANFOSS, ETC. WITH MANIFOLD MOUNTING DIMENSIONS SPECIFIED ON PAGE 13-010.0

OPERATIONS

TYPE	PORT RELIEFS	CARTRIDGE VALVE
A	"A" TO "B"	RVPS-10-X-X-0-XX
B	"B" TO "A"	RVPS-10-X-X-0-XX
C	"A" TO "B" & "B" TO "A" SAME PRESSURE SETTING	RVBD-10-X-X-0-XX
D	"A" TO "B" & "B" TO "A" INDEPENDENT SETTINGS	RVPP-10-X-X-0-XX
E	"A" TO "B" (SAME AS "A")	WITH BRAKE SHUTTLE
F	"B" TO "A" (SAME AS "B")	WITH BRAKE SHUTTLE
G	"A" TO "B" & "B" TO "A" (SAME AS "C")	WITH BRAKE SHUTTLE
H	"A" TO "B" & "B" TO "A" (SAME AS "D")	WITH BRAKE SHUTTLE

SPECIFICATIONS

OPERATING PRESSURE: 3000 PSI [210 BAR].

OPERATING TEMPERATURE: -40° TO +250° F. [-40° TO +120° C.].

OPERATING MEDIA: ALL GENERAL PURPOSE HYDRAULIC FLUIDS.

BRAKE PORT WHEN REQUIRED IS SAE-#4 (7/16"-20 UNF THD.)

MATERIAL: ANODIZED ALUMINIUM ALLOY BODY.

OPTIONAL: PROVISIONS CAN BE MADE TO CLEAR THE MOUNTING BOLT ON THE SAE "A" FLANGE MOUNT MOTOR WITH MOUNTING HOLE ON THE SAME SIDE AS THE WORKING PORTS "A" AND "B".

info.el@bucherhydraulics.com

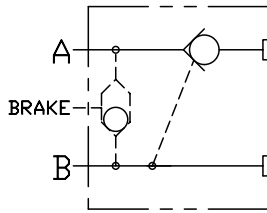
www.bucherhydraulics.com/commoncavity

© 2015 by Bucher Hydraulics, Inc., 2545 Northwest Parkway, Elgin, Illinois 60124, USA

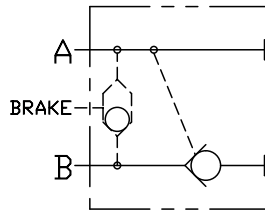
All rights reserved.

Data is provided for the purpose of product description only, and must not be construed as warranted characteristics in the legal sense. The information does not relieve users from the duty of conducting their own evaluations and tests. Because the products are subject to continual improvement, we reserve the right to amend the product specifications contained in this catalogue.

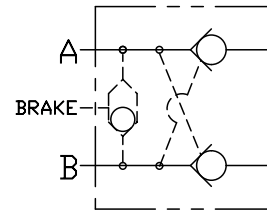
MOTOR MOUNT PILOTED CHECK



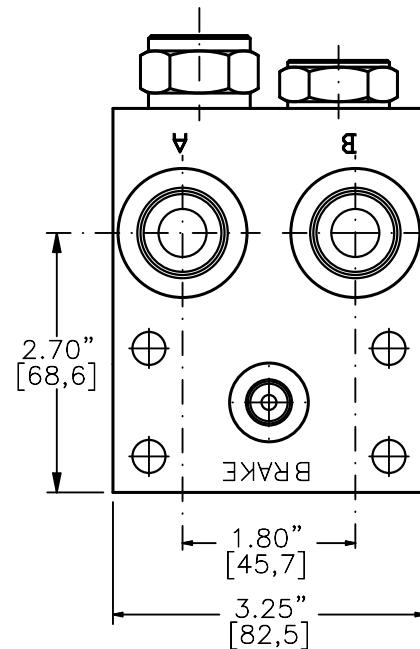
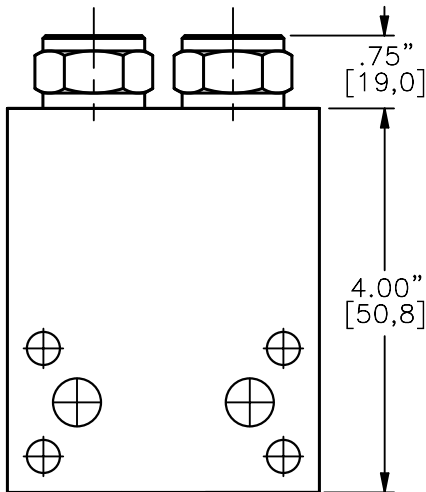
TYPE "A"
"D"/SHUTTLE



TYPE "B"
"E"/SHUTTLE



TYPE "C"
"F"/SHUTTLE



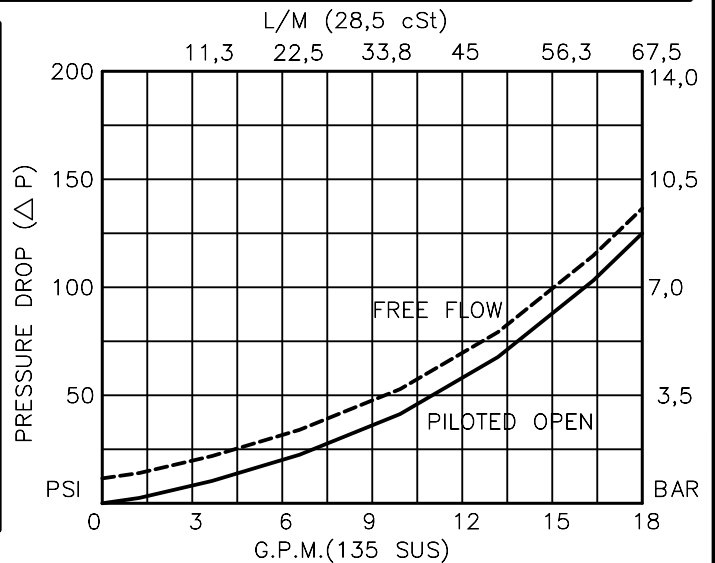
MMPC-10-X-X-X-10TA-XXX

BASIC _____
 SIZE _____
 10 = 7/8"-14UNF
 SEALS _____
 N = BUNA "N"
 V = VITON
 ADJUSTMENT _____
 F = FIXED (STANDARD)
 M = MANUAL LOAD RELEASE

CRACK PRESSURE
 010 = 10 PSI
 030 = 30 PSI
 060 = 60 PSI

PORTS
 10TA = SAE - #10
 OTHER PORTS AVAILABLE
 UPON REQUEST

TYPE
 "A", "B", "C", "D", "E" & "F"
 (SEE OTHER SIDE PAGE 13-120.1)



MOTOR MOUNT PILOTED CHECK**DESCRIPTION**

THIS UNIT IS A PILOT OPERATED CHECK VALVE TO MOUNT ON TO A LOW SPEED HIGH TORQUE HYDRAULIC MOTOR SUCH AS EATON, WHITE, PARKER (HPI & ROSS), DANFOSS, ETC. WITH MANIFOLD MOUNTING DIMENSIONS SPECIFIED ON PAGE 13-010.0

SEE PAGE 1-102.0 FOR MORE INFORMATION ON PERFORMANCE DATA AND OTHER OPTIONS OF THE CARTRIDGE #POCI-10-N-F-0-XX.

OPERATIONS

TYPE	CHECKED PORT	CARTRIDGE VALVE
A	"A"	POCI-10-X-X-0-XX
B	"B"	POCI-10-X-X-0-XX
C	"A" & "B"	POCI-10-X-X-0-XX
D	"A"	WITH BRAKE SHUTTLE
E	"B"	WITH BRAKE SHUTTLE
F	"A" & "B"	WITH BRAKE SHUTTLE

SPECIFICATIONS

OPERATING PRESSURE: 3000 PSI [210 BAR].

OPERATING TEMPERATURE: -40° TO +250° F. [-40° TO +120° C.].

OPERATING MEDIA: ALL GENERAL PURPOSE HYDRAULIC FLUIDS.

BRAKE PORT WHEN REQUIRED IS SAE-#4 (7/16"-20 UNF THD.)

MATERIAL: ANODIZED ALUMINIUM ALLOY BODY.

PILOT RATIO: 3 TO 1.

OPTIONAL: PROVISIONS CAN BE MADE TO CLEAR THE MOUNTING BOLT ON THE SAE "A" FLANGE MOUNT MOTOR WITH MOUNTING HOLE ON THE SAME SIDE AS THE WORKING PORTS "A" AND "B".

info.el@bucherhydraulics.com

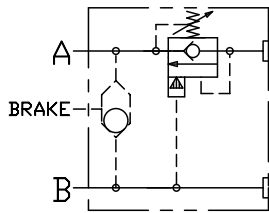
www.bucherhydraulics.com/commoncavity

© 2015 by Bucher Hydraulics, Inc., 2545 Northwest Parkway, Elgin, Illinois 60124, USA

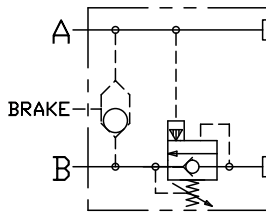
All rights reserved.

Data is provided for the purpose of product description only, and must not be construed as warranted characteristics in the legal sense. The information does not relieve users from the duty of conducting their own evaluations and tests. Because the products are subject to continual improvement, we reserve the right to amend the product specifications contained in this catalogue.

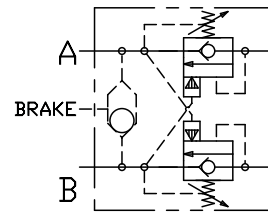
MOTOR MOUNT COUNTERBALANCE



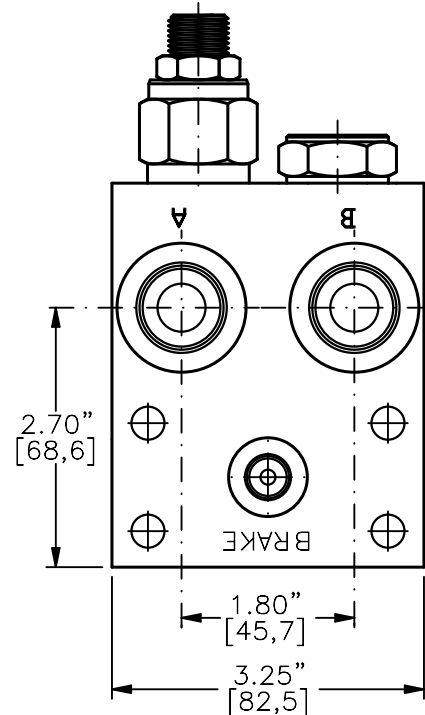
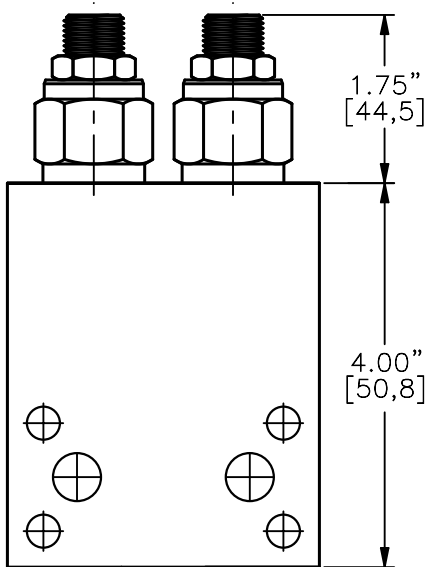
TYPE "A"
"D"/SHUTTLE



TYPE "B"
"E"/SHUTTLE



TYPE "C"
"F"/SHUTTLE



MMCB-10-X-X-X-10TA-XX

BASIC
SIZE
10 = 7/8"-14UNF
SEALS
N = BUNA "N"
V = VITON
ADJUSTMENT
C = CAPPED
S = SCREW
T = TAMPERPROOF

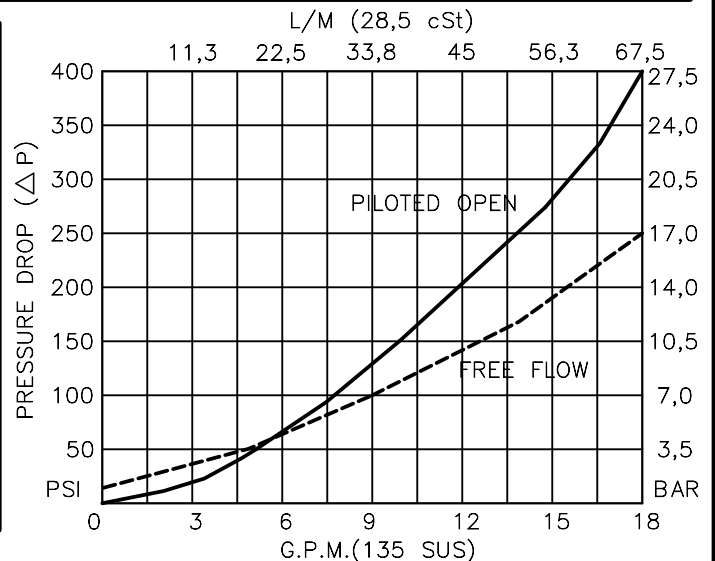
PRESSURE RANGE
15 = 100 TO 1500 PSI
30 = 300 TO 3000 PSI

PORTS
10TA = SAE - #10

OTHER PORTS AVAILABLE
UPON REQUEST

TYPE
"A", "B", "C", "D", "E" & "F"
(SEE OTHER SIDE PAGE 13-130.1)

FOR ADJUSTMENT CONTROL
OPTIONS SEE PAGE 0-050.0



MOTOR MOUNT COUNTERBALANCE

DESCRIPTION

THIS UNIT IS A COUNTERBALANCE VALVE TO MOUNT ON TO A LOW SPEED HIGH TORQUE HYDRAULIC MOTOR SUCH AS EATON, WHITE, PARKER (HPI & ROSS), DANFOSS, ETC. WITH MANIFOLD MOUNTING DIMENSIONS SPECIFIED ON PAGE 13-010.0
 SEE PAGE 8-052.0 FOR MORE INFORMATION ON PERFORMANCE DATA AND OTHER OPTIONS OF THE CARTRIDGE #CBPA-10-N-S-0-XX.

OPERATIONS

TYPE	PORT COUNTERBALANCED	CARTRIDGE VALVE
A	"A"	CBPA-10-X-X-0-XX
B	"B"	CBPA-10-X-X-0-XX
C	"A" & "B"	CBPA-10-X-X-0-XX
D	"A" E	WITH BRAKE SHUTTLE
E	"B"	WITH BRAKE SHUTTLE
F	"A" & "B"	WITH BRAKE SHUTTLE

SPECIFICATIONS

OPERATING PRESSURE: 3000 PSI [210 BAR].

OPERATING TEMPERATURE: -40 TO +250 F [-40 TO +120 C].

OPERATING MEDIA: ALL GENERAL PURPOSE HYDRAULIC FLUIDS.

BRAKE PORT WHEN REQUIRED IS SAE-#4 (7/16"-20 UNF THD.)

MATERIAL: ANODIZED ALUMINIUM ALLOY BODY.

PILOT RATIO: 4 TO 1.

OPTIONAL: PROVISIONS CAN BE MADE TO CLEAR THE MOUNTING BOLT ON THE SAE "A" FLANGE MOUNT MOTOR WITH MOUNTING HOLE ON THE SAME SIDE AS THE WORKING PORTS "A" AND "B".

info.el@bucherhydraulics.com

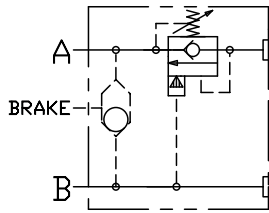
www.bucherhydraulics.com/commoncavity

© 2015 by Bucher Hydraulics, Inc., 2545 Northwest Parkway, Elgin, Illinois 60124, USA

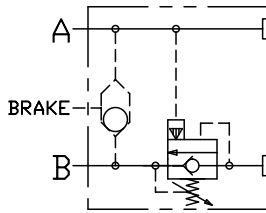
All rights reserved.

Data is provided for the purpose of product description only, and must not be construed as warranted characteristics in the legal sense. The information does not relieve users from the duty of conducting their own evaluations and tests. Because the products are subject to continual improvement, we reserve the right to amend the product specifications contained in this catalogue.

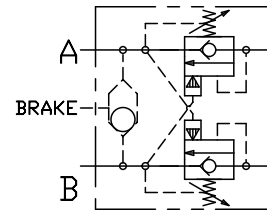
MOTOR MOUNT COUNTERBALANCE



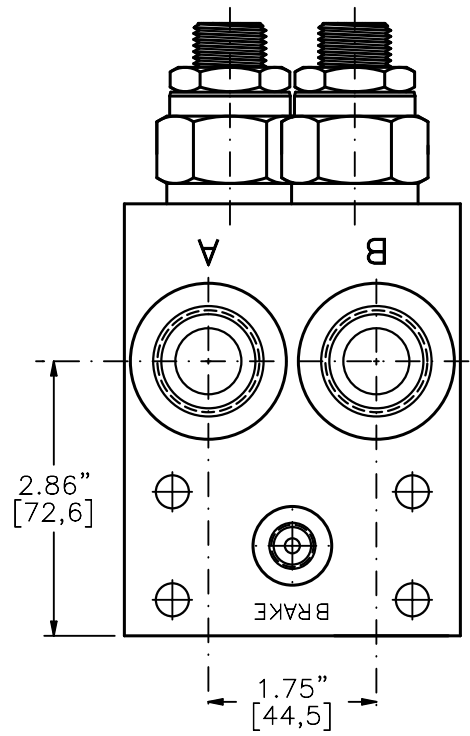
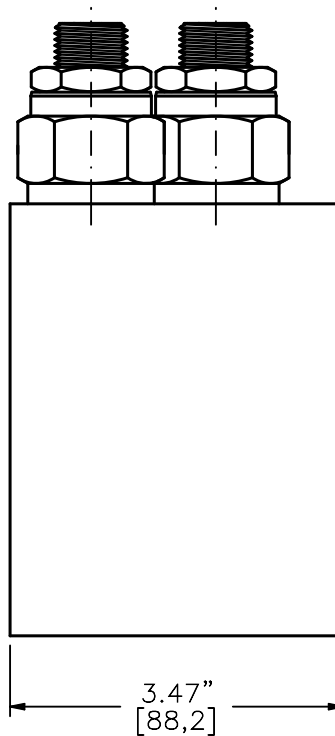
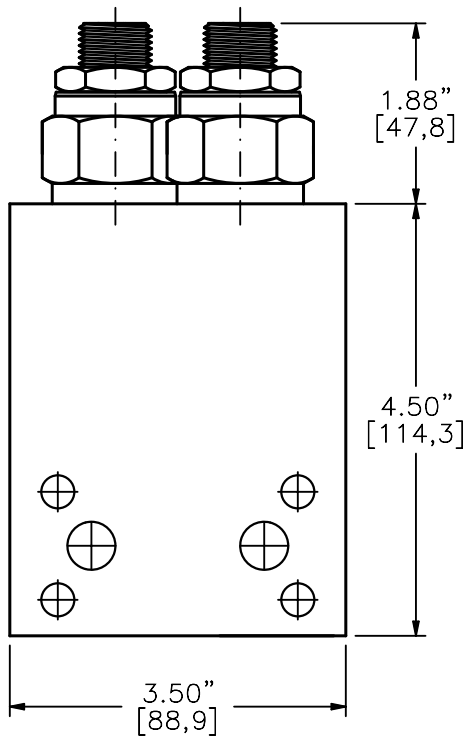
TYPE "A"
"D"/SHUTTLE



TYPE "B"
"E"/SHUTTLE



TYPE "C"
"F"/SHUTTLE



MMCB-12-X-X-X-12TA-XX

BASIC

SIZE
12 = 1.062"-12UNF

SEALS
N = BUNA "N"
V = VITON

ADJUSTMENT
C = CAPPED
S = SCREW
T = TAMPERPROOF

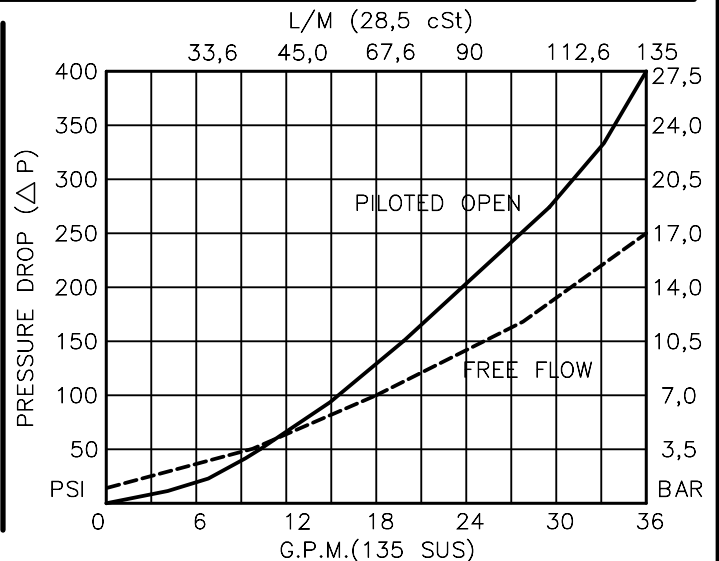
PRESSURE RANGE
15 = 0 TO 1500 PSI
30 = 0 TO 3000 PSI

PORTS
12TA = SAE - #12

OTHER PORTS AVAILABLE
UPON REQUEST

TYPE
"A", "B", "C", "D", "E" & "F"
(SEE OTHER SIDE PAGE 13-131.1)

FOR ADJUSTMENT CONTROL
OPTIONS SEE PAGE 0-050.0



MOTOR MOUNT COUNTERBALANCE

DESCRIPTION

THIS UNIT IS A COUNTERBALANCE VALVE TO MOUNT ON TO A LOW SPEED HIGH TORQUE HYDRAULIC MOTOR SUCH AS EATON, WHITE, PARKER (HPI & ROSS), DANFOSS, ETC. WITH MANIFOLD MOUNTING DIMENSIONS SPECIFIED ON PAGE 13-010.0

SEE PAGE 8-053.0 FOR MORE INFORMATION ON PERFORMANCE DATA AND OTHER OPTIONS OF THE CARTRIDGE #CBPA-12-N-S-0-XX.

OPERATIONS

TYPE	PORT COUNTERBALANCED	CARTRIDGE VALVE
A	"A"	CBPA-12-X-X-0-XX
B	"B"	CBPA-12-X-X-0-XX
C	"A" & "B"	CBPA-12-X-X-0-XX
D	"A"	WITH BRAKE SHUTTLE
E	"B"	WITH BRAKE SHUTTLE
F	"A" & "B"	WITH BRAKE SHUTTLE

SPECIFICATIONS

OPERATING PRESSURE: 3000 PSI [210 BAR].

OPERATING TEMPERATURE: -40 TO +250 F [-40 TO +120 C].

OPERATING MEDIA: ALL GENERAL PURPOSE HYDRAULIC FLUIDS.

BRAKE PORT WHEN REQUIRED IS SAE-#4 (7/16"-20 UNF THD.)

MATERIAL: ANODIZED ALUMINIUM ALLOY BODY.

PILOT RATIO: 4 TO 1.

OPTIONAL: PROVISIONS CAN BE MADE TO CLEAR THE MOUNTING BOLT ON THE SAE "A" FLANGE MOUNT MOTOR WITH MOUNTING HOLE ON THE SAME SIDE AS THE WORKING PORTS "A" AND "B".

info.el@bucherhydraulics.com

www.bucherhydraulics.com/commoncavity

© 2015 by Bucher Hydraulics, Inc., 2545 Northwest Parkway, Elgin, Illinois 60124, USA

All rights reserved.

Data is provided for the purpose of product description only, and must not be construed as warranted characteristics in the legal sense. The information does not relieve users from the duty of conducting their own evaluations and tests. Because the products are subject to continual improvement, we reserve the right to amend the product specifications contained in this catalogue.

MANIFOLD MOUNT MOTOR PORTS

