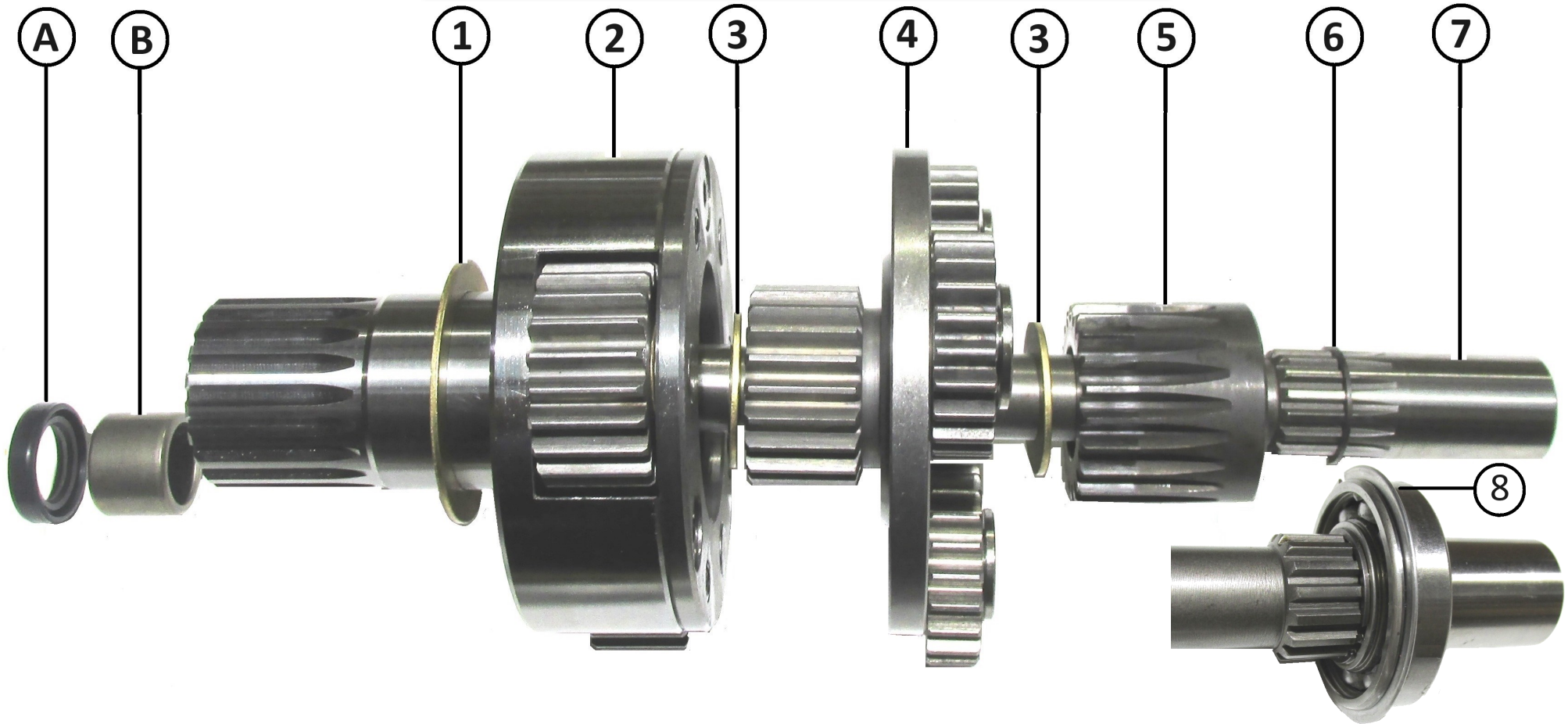
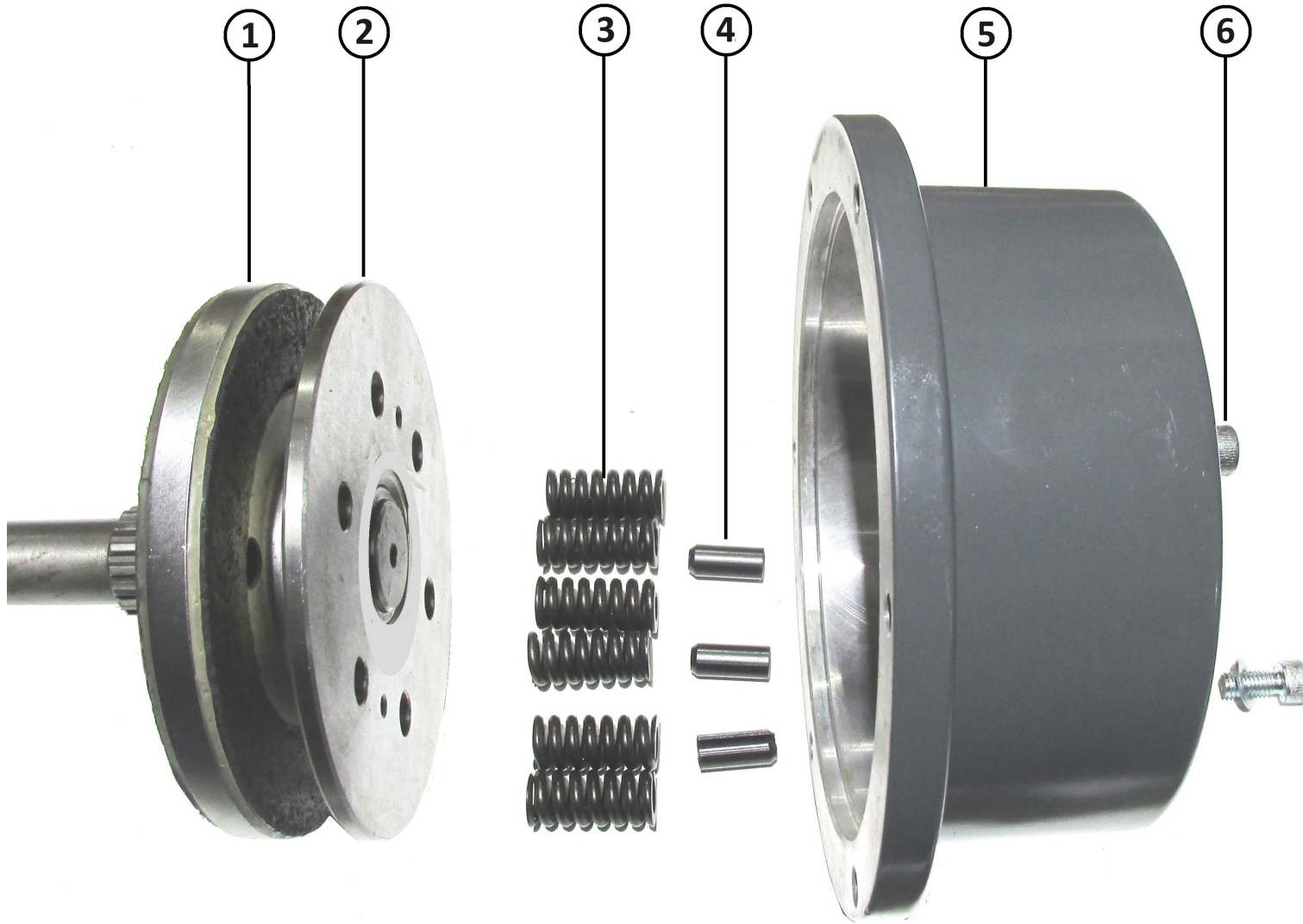


## H8P / H10P Gearbox Assembly Parts



<u>No</u>	<u>Part No</u>	<u>Description</u>	<u>Qu'</u>	<u>No</u>	<u>Part No</u>	<u>Description</u>	<u>Qu'</u>
<b>A</b>		Oil seal 2nd stage	1	<b>4</b>	10061	1st Stage Planet Assembly	1
<b>B</b>		Needle Bearing 2nd Stage	1	<b>5</b>	54-54013	Sun Gear	1
<b>1</b>	10051	Thrust Washer	1	<b>6</b>	4.26.2517123	Spring Clip	1
<b>2</b>	10011	2nd Stage Planet Assembly	1	<b>7</b>	50-50046	Drive Axle	1
<b>3</b>	10006	Thrust washer	2	<b>8</b>	4.13.025047123	Bearing Roller (6005RS)	1

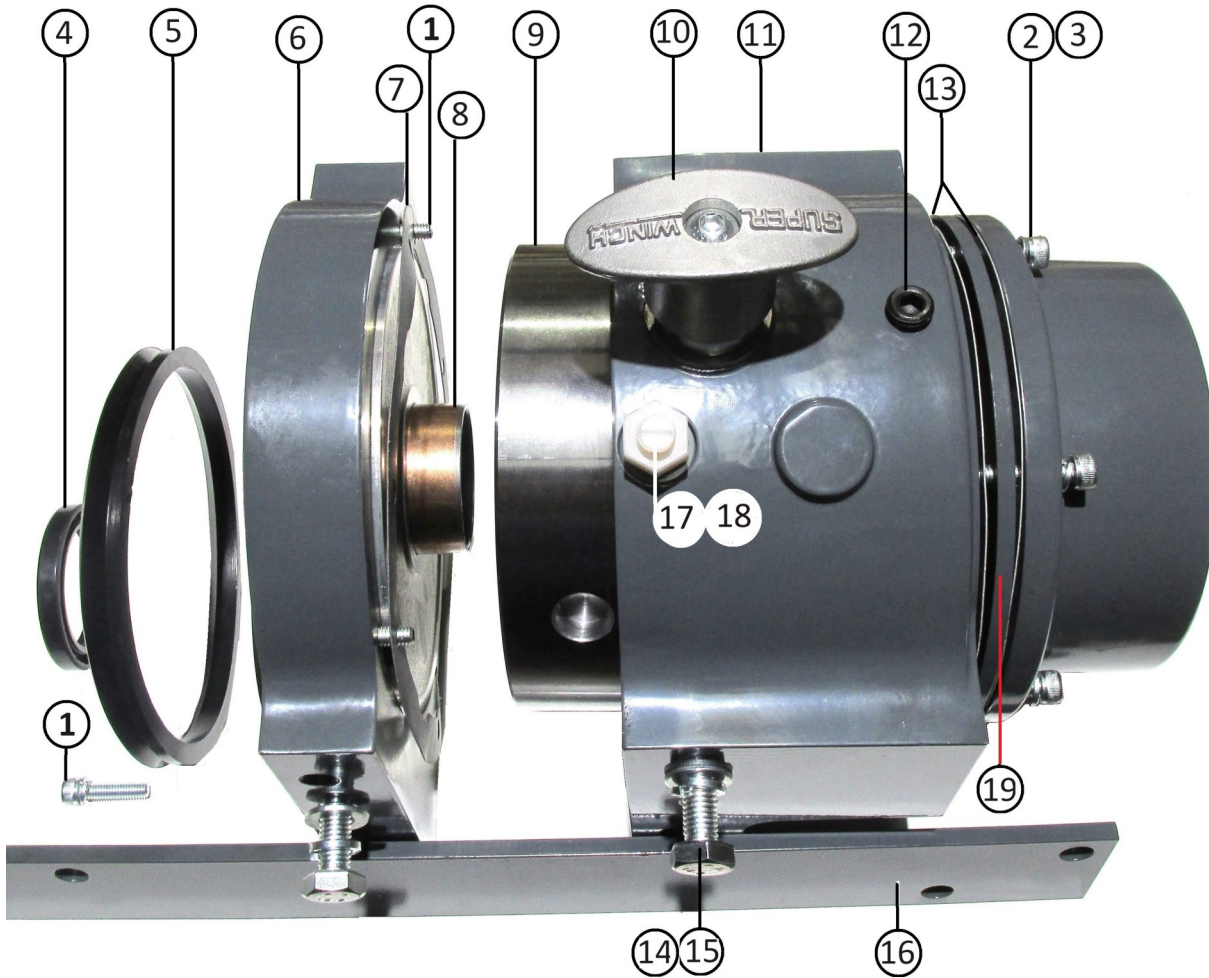


## H8P / H10P Brake Assembly Parts

<u>No</u>	<u>Part No</u>	<u>Description</u>	<u>Qu'</u>	<u>No</u>	<u>Part No</u>	<u>Description</u>	<u>Qu'</u>
1	10028	Friction Brake	1	4	4.56.802003	Dowel Pin	3
2	10002	Pressure Plate	1	5	90-90622-01	Brake Housing	1
3	4.31.14030304032	Brake Springs	6	6	4..36.0601022	Cap head screw	1

# H8P / H10P

## Gear Housing Assembly

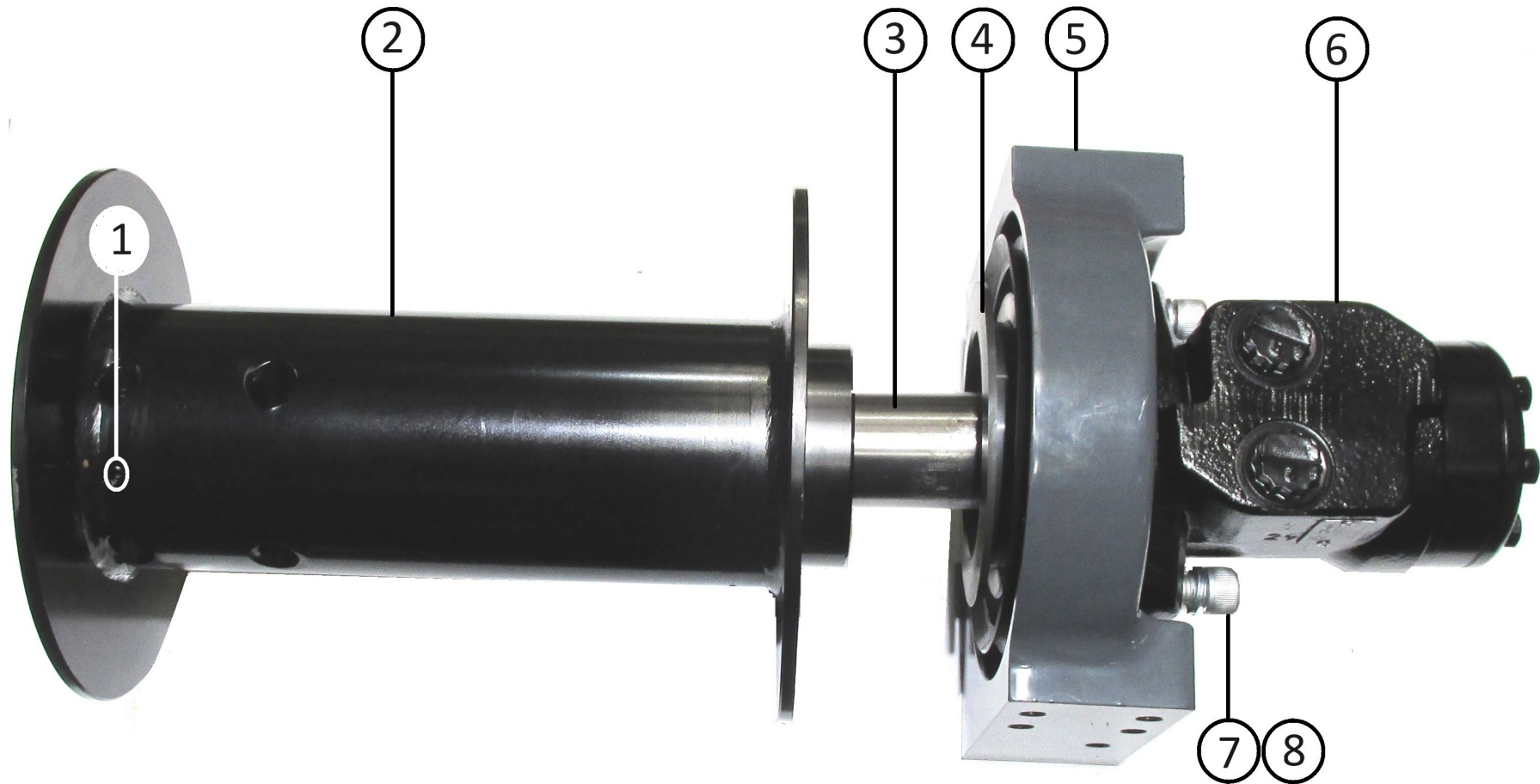


<u>No</u>	<u>Part No</u>	<u>Description</u>	<u>Qu</u>
9	50-54062	Ring Gear	1
10	10076	Freespool Assembly	1
11	50-2532	Gearbox Housing	1
12	4.29.224	Oil Plug	2
13	10063	Gasket	2
14	Bolts	M10-1.5* x 25mm	8
15	Washer	M10 Spring	8
16	50-52007	Tie Bar Plate	2
17	4.119.333	Nylon Screw	1
18	4.119.334	Nylon Nut	1
19	50-95074	Bearing Plate	1

<u>No</u>	<u>Part No</u>	<u>Description</u>	<u>Qu</u>
1	4.36.0602522	Cap Screw M6 x 25	4
2	4.36.061022	Cap Screw M6 x 30	6
3	4.51.0623	M6 Spring Washer	10
4	4.22.4562083	Front Oil Seal	1

<u>No</u>	<u>Part No</u>	<u>Description</u>	<u>Qu</u>
5	4.22.140161123	V Seal Ring	2
6	50-25014	Front housing Support	1
7	10064	Gasket	1
8	4.10.4550203	Bush Bearing	1

## H8P / H10P Drive Assembly



<u>No</u>	<u>Part No</u>	<u>Description</u>	<u>Qu</u>
1	4.40.081003	Rope retaining screw	1
2	50-90685	Drum 3.5"Ø barrel 253 L	1
2	50-90688	Drum 4"Ø EN barrel x 253L	1
3	50-90015	Drive Tube	1
4	10049	Drum Support Bearing	2

<u>No</u>	<u>Part No</u>	<u>Description</u>	<u>Qu</u>
5	50-90424	Motor / Drum Support	1
6	94-32192-01	Motor 125cc H10P	1
6		Motor 80cc H8P	1
7	4.36.1203002	Cap Screw M12 x 30mm	2
8	4.51.1223	Spring Washer M12	2