

Superwinch Ltd
Abbey Rise
Tavistock
Devon P19 9DR
England

Tel: +44 (0) 1822 614101
Fax: +44 (0) 1822 615204
Email: sales@superwinch.net



Superwinch Inc
Winch Drive
Putnam
Connecticut 06260
USA

Tel: 1 860 928 7787
Fax: 1 860 928 1143
Email: info@superwinch.com

H14W, HEAVY DUTY HYDRAULIC WINCH

The Superwinch H14W – from the UK's largest winch producer, a rugged, versatile, high quality 6,350kg worm & wormwheel drive hydraulic winch, engineered to ensure total reliability during recovery / winching operations. Designed to fill the Professional Vehicle Operators need for a dependable, heavy duty unit for a wide range of applications.



Winch shown for illustration purposes only

Outstanding Features

- Winch** – Robust construction, engineered to meet J706 standards.
- Gearbox** – Heavy duty, steel centred aluminium/bronze wormwheel and case hardened precision ground wormshaft for optimum reliability.
- Brake** – Irreversible wormgear for substantial, reliable braking action.
- Motor** – Rugged, high torque, low speed unit of proven reliability.
- Free Spooling** – Manual release for rapid rope pay-out.
- Drum** – Heavy duty steel, mounted on maintenance-free plain bearings.
- Testing** – All winches are load tested before shipping.

SUPERWINCH

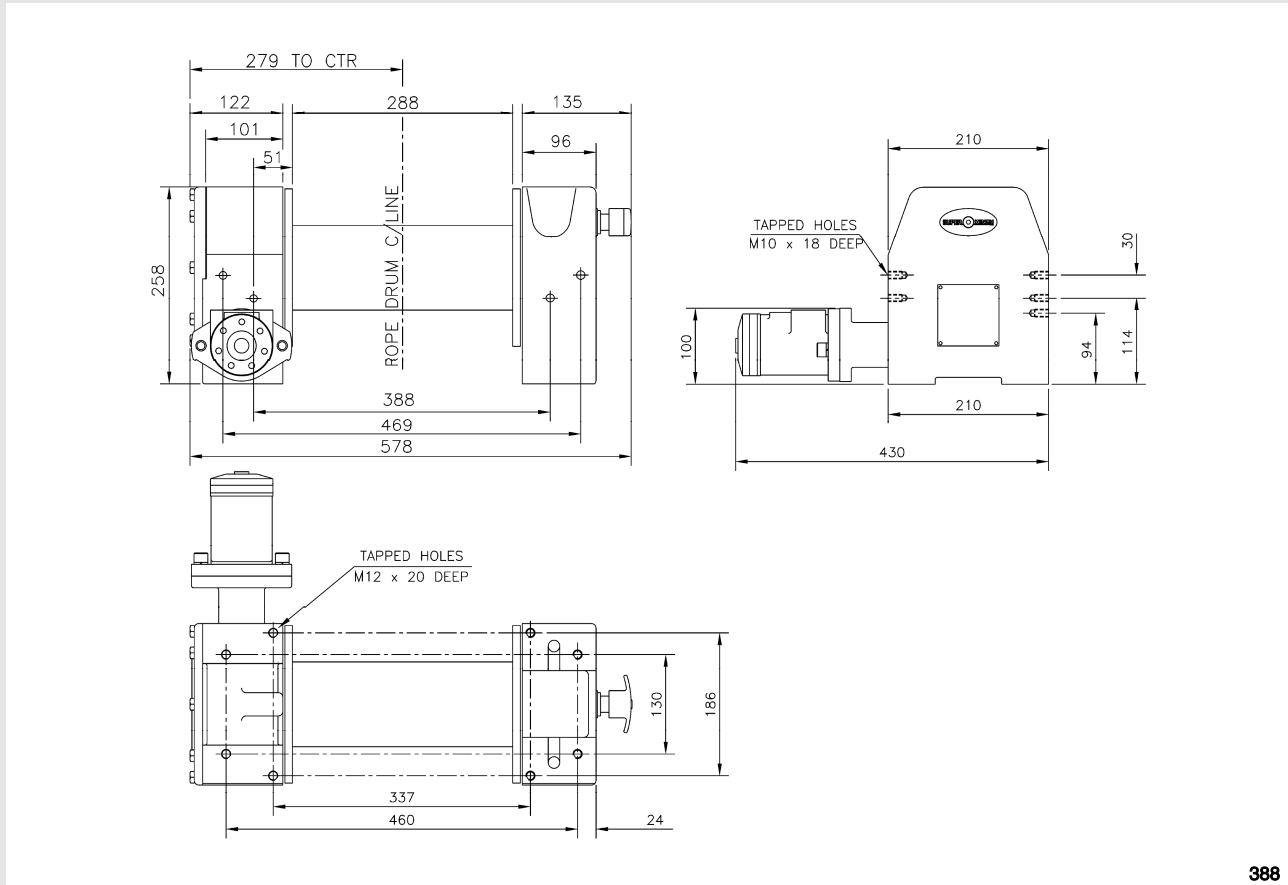
The Superwinch H14W, hydraulic, worm and wormwheel drive winch is available in our standard configuration, or with a range of optional accessories, please contact your distributor or Superwinch for details.

WINCH

| | Part No |
|-----------------|---------|
| H14W Winch only | 7080 |

OPTIONAL ACCESSORIES

| | Part No |
|--------------------------|---------|
| Roller Fairlead | 5620 |
| Cable Tensioner | 5609 |
| Pneumatic Freespool Assy | 5624 |
| Wire Rope, 12m x 30m | 0568 |



388

SPECIFICATION

| | |
|-----------------------------------|---------------------|
| Rated Line Pull, Bottom Layer | 62.0 kN, (6,350 kg) |
| Line Speed, Bottom Layer, no Load | 3.1 m/min |
| Wire Rope Diameter, Recommended | 12 mm |
| Wire Rope Length, Recommended | 36 m |
| Rope Drum Diameter | 90 mm |
| Weight | 52 kg |

PERFORMANCE

| | |
|----------------------|----------------------|
| Maximum Oil Pressure | 155 bar, (2,250 psi) |
| Maximum Oil Flow | 57 l/min |
| Line Pull, 2nd Layer | 50.1 kN (5,110 kg) |
| Line Pull, 3rd Layer | 42.0 kN (4,290 kg) |
| Line Pull, 4th Layer | 36.2 kN, (3,690 kg) |

The Superwinch H14W is designed and manufactured in the UK



Design, Materials and specifications are subject to change without notice. Superwinch are not responsible for printing errors inadvertently made in the production of this brochure.

Superwinch Ltd. Abbey Rise, Tavistock, Devon. PL19 9DR. Tel: 44 (0) 1822-614101. Fax: 44 (0) 1822-615204. e-mail: sales@superwinch.net