

Specifications

- Max.pulling capacity : 10.000 kg
- Hydraulic release brake
- Max.ropelength : 36.56 m
- Min' wire rope :16 mm 2160 MPa
- Hydromotor : 160 cm³ (9.6 in³)
- Max. pressure : 175 bar (2540 psi)
- Max. flow : 60 l (15.8 gal)
- Gear ratio : 28 : 1
- Oil types - capacity : 85W140 - 2 l.

Weight

- Winch :188 kg
- Roller fairlead : 18 kg
- Cable tensioner : 8 kg



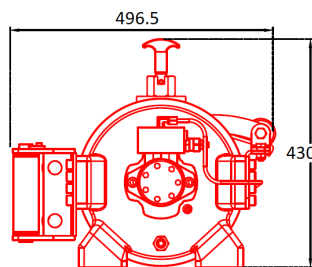
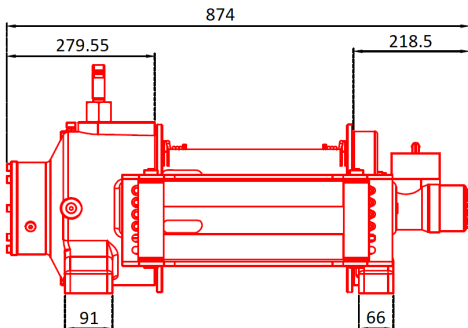
Supplied Standard With

Roller fairlead
Cable tensioner

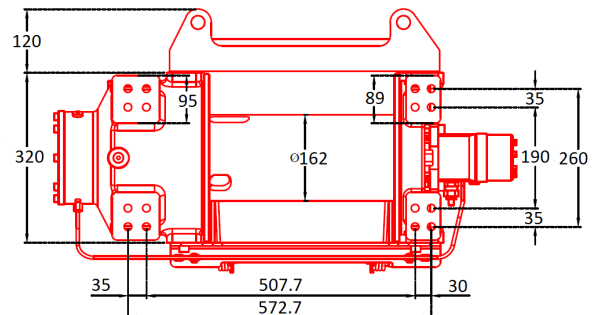
Options

Manual Freespool
Pneumatic Freespool

Rope Layer	Line Pull Kg / Lb	Line Speed M / Ft p/min	Drum Capacity M / Ft
1	10000 / 22040	6.73 / 22	10.56 / 34.6
2	8900 / 19615	7.9 / 25.9	22.35 / 73.30
(EN) 3	7750 / 17080	9 / 29.7	36.56 / 119.9
4	6850 / 15090	10.2 / 33.5	51.84 / 170



Mount Bolts
M16 x 16 bolts



Warning!

This winch is designed and manufactured for pulling. Don't lift person or material.
Always keep last 5 wrap on the drum.
The technical details given above just for information.

Hammer Winch keeps the right to change the technical details.