

## MOUNTING OPTIONS



Offset - solenoid over motor, as shipped



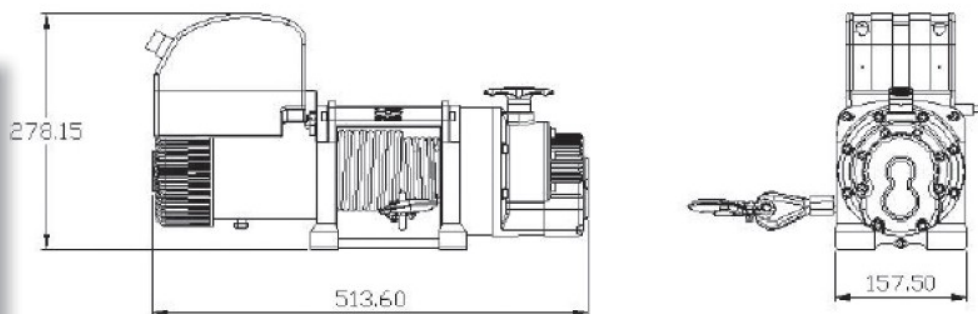
Center-line - solenoid over drum, kit included



Competition - solenoid box remotely mounted, kit included

Model	98	12.8
Part Number	1698201	1612221
Voltage	12 VDC	12 VDC
Rated Pull lbs (kg)	9,800 (4445)	12,800 (5806)
Motor hp (kW)	5.2 (3.8)	6.0 (4.44)
Gearing	2-Stage Spur / 2-Stage Planetary	
Gear Ratio	148:1	
Solenoid	VS4 Solenoid	
Freespool	Ergonomic Pull and Turn	
Brake	Automatic, Load Holding (outside the drum)	
Rope Length ' (m)	50 (15.2)	
Rope Dia " (mm)	3/8 (9.5)	
Hook	Heavy Duty / Half-Link / Latched	
Fairlead/Hawse	Hawse	
Remote Control	15' Ergo Remote	
Weight Installed lbs (kg)	62 (28)	64 (29)
Weight Shipping lbs (kg)	75 (34)	77 (34.9)
Warranty	Limited Lifetime Warranty - 3 Year Electrical	
UPC	022705169196	022705169219
Performance	98	12.8
No Load	Amps	75
	Line Speed fpm (mpm)	62 (18.9)
At Load	Amps	445
	Line Speed fpm (mpm)	4.8 (1.46)
Alternate Version: Rock 98 (24VDC)		
Part Number:	1698301	

Mounting bolt pattern is 6" x 4.5" (152.4mm x 114.3mm)



Talon Rock 98 / 12.8

