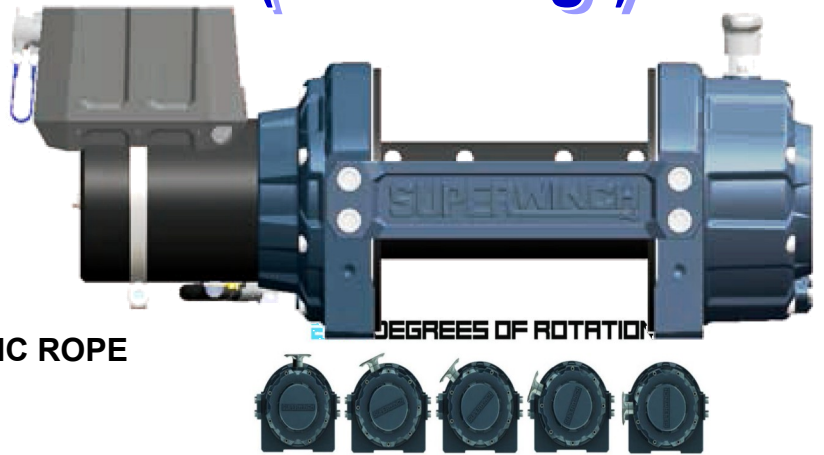


SUPERWINCH

SI-SERIES 10000 lb (4500 Kg)

PLANETARY 12 or 24 volt DC
1ST LAYER 10000 Lbs (44.4KN)
INDUSTRIAL SAE J706
ELECTRIC RELEASE BRAKE
MANUAL FREESPOOL
SUITABLE FOR STEEL OR SYNTHETIC ROPE
ASSEMBLED IN THE USA



SI-10 Specifications	
Power in Watts	5580W
Maximum Current	490 Amps
Lubrication (gearbox)	Synthetic Grease
Compliance	SAE J706
Gearbox	3 Stage Planetary 210:01
Brake (electric release)	Spring applied multi disk
Remote Control	Wired 4.5m (15ft) Corded
Free spool	Multi position Pull & Turn
Drum	W 256.5 mm x Ø 90 mm
Weight (shipping)	53.5 kg (no rope)
Wire rope	3/8"(9.5mm) 7/16"(11mm)
Rope Length	45 metre (maximum)

Si-10 DC 12v Performance		
Lbs Pull	Amps	Speed
0	100	10.5 M p/m (34 F p/m)
2000	190	5.8 M p/m (19 F p/m)
4000	275	4.3 M p/m (14 F p/m)
6000	350	3.3 M p/m (11 F p/m)
8000	420	2.6 M p/m (8.5 F p/m)
10000	490	2.1 M p/m (7.0 F p/m)

Line Speed (No Load)	
Layer 1	10.5 M p/m (34 F p/m)
Layer 2	11.9 M p/m (39 F p/m)
Layer 3	13.7 M p/m (45 F p/m)
Layer 4	15.2 M p/m (50 F p/m)
Layer 5	17.1 M p/m (56 F p/m)

DIMENSION TABLE			
DRUM	A	B	C
NARROW	10.0 [254]	8.1 [204.9]	24.2 [614.68]
STANDARD	12.0 [304.8]	10.1 [256.5]	26.2 [665.48]
WIDE	14.0 [355.6]	12.1 [307.3]	28.2 [716.28]

standard drum for Australian supply

