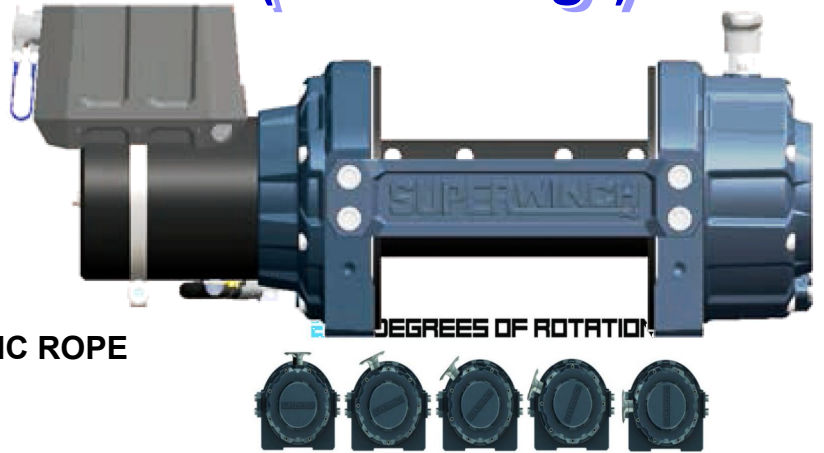


# SUPERWINCH

## SI-SERIES 12000 lb ( 5445 Kg )

PLANETARY 12 or 24 volt DC  
 1ST LAYER 12000 Lbs (53.37 KN)  
 INDUSTRIAL SAE J706  
 ELECTRIC RELEASE BRAKE  
 MANUAL FREESPOOL  
 SUITABLE FOR STEEL OR SYNTHETIC ROPE  
 ASSEMBLED IN THE USA



SI-12 Specifications	
Power in Watts	6180W maximum 12v
Maximum Current	460 Amps
Lubrication (gearbox)	Synthetic Grease
Compliance	SAE J706
Gearbox	3 Stage Planetary 210:01
Brake (electric release)	Spring applied multi disk
Remote Control	Wired 4.5m (15ft) Corded
Free spool	Multi position Pull & Turn
Drum	W 256.5 mm x $\varnothing$ 90 mm
Weight (shipping)	53.5 kg (no rope)
Wire rope	7/16"(11mm)
Rope Length	45 metre (maximum)

Si-12 DC 12v Performance		
Lbs Pull	Amps	Speed
0	100	10.5 M p/m (33 F p/m)
2000	175	6.7 M p/m (22 F p/m)
4000	255	4.7 M p/m (15 F p/m)
6000	320	3.8 M p/m (12 F p/m)
8000	390	3 M p/m (10 F p/m)
10000	460	2.6 M p/m (8.5 F p/m)
12000	515	2.1 M p/m (7 F p/m)

Line Speed (No Load)	
Layer 1	10.5 M p/m ( 33 F p/m )
Layer 2	12 M p/m ( 39 F p/m )
Layer 3	13.7 M p/m ( 45 F p/m )
Layer 4	15.2 M p/m ( 50 F p/m )

DIMENSION TABLE			
DRUM	A	B	C
NARROW	10.0 [254]	8.1 [204.9]	24.2 [614.68]
STANDARD	12.0 [304.8]	10.1 [256.5]	26.2 [665.48]
WIDE	14.0 [355.6]	12.1 [307.3]	28.2 [716.28]

standard drum for Australian supply

