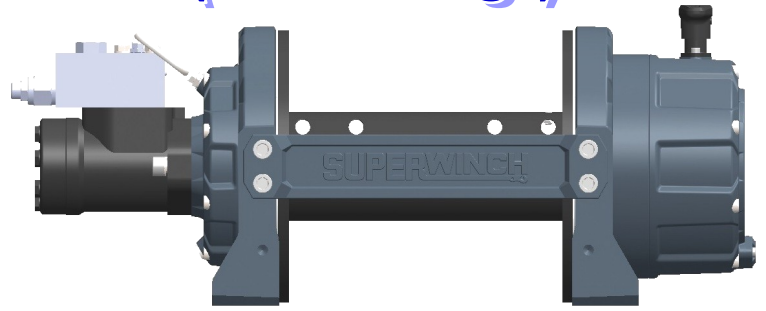


# SUPERWINCH

## SI-SERIES 15000 lb ( 6804 kg )

**PLANETARY HYDRAULIC WINCH**  
**1ST LAYER 15000 Lbs (66.7kN) LINE PULL**  
**INDUSTRIAL EN14492-1**  
**HYDRAULIC LOAD CONTROLLED BRAKE**  
**PNEUMATIC OR MANUAL FREESPOOL**  
**MULTI POSITION OPTION FOR FREE SPOOL**  
**HIGH GAUGE STEEL FABRICATED DRUM**  
**SUITABLE FOR STEEL OR SYNTHETIC ROPE**  
**ASSEMBLED IN THE USA and UK**



**22.5 DEGREES OF ROTATION**



### SI-15 EN14492-1 Specifications

Pressure at rated pull	2000 psi (137.9 Bar)
Flow (maximum)	15 GPM (57 L p/m)
Lubrication (gearbox)	Synthetic Grease
Compliance	EN14492-1
Gearbox	2 Stage Planetary 24:01
Motor	160 cc Hyd Gear Motor
Brake (hydraulic release)	Spring applied multi disk
Load Block Valve	Bidirectional Brake Control
Free spool	Manual or Pneumatic
Drum (standard)	W 256.5 mm x Ø 127 mm
Weight (boxed shipping)	81 kg (no rope)
Wire rope (recommended)	9/16" (14 mm)
Rope Capacity (std drum)	26 metre (maximum)

### Line Speed Per Layer 15 G p/m ( 57 L p/min )

Layer 1	7.6 M p/m ( 25 ft p/m )
Layer 2	9.4 M p/m ( 31 ft p/m )
Layer 3	11 M p/m ( 36 ft p/m )

### Line Pull Per Layer 15 G p/min (57 L p/min 2100 psi. 144.8 Bar)

Layer 1	15000 lb (66.7 kN)
Layer 2	12273 lb (54.6 kN)
Layer 3	10385 lb (46.2 kN)

