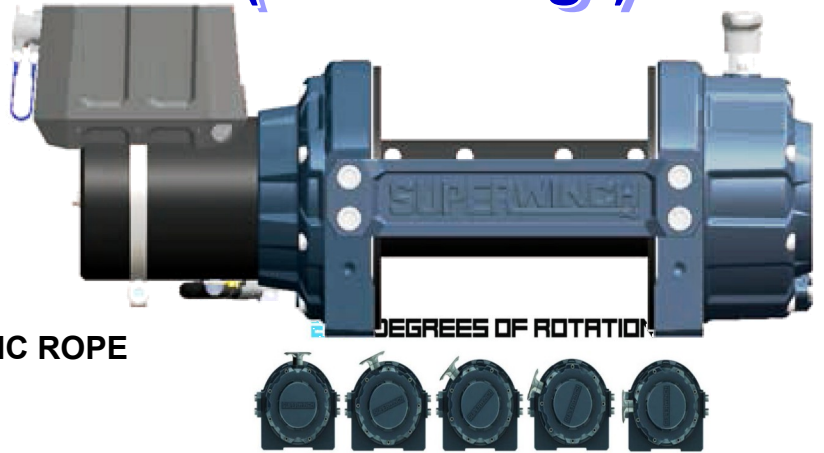


SUPERWINCH

SI-SERIES 8000 lb (3629 Kg)

PLANETARY 12 or 24 volt DC
 1ST LAYER 8000 Lbs (35.5 KN)
 INDUSTRIAL SAE J706
 ELECTRIC RELEASE BRAKE
 MANUAL FREESPOOL
 SUITABLE FOR STEEL OR SYNTHETIC ROPE
 ASSEMBLED IN THE USA



SI-8 Specifications

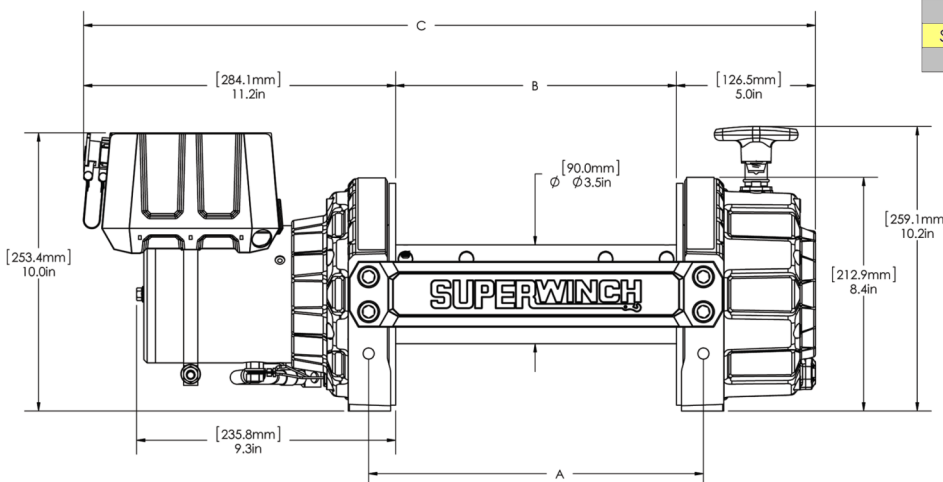
Power in Watts	5520W maximum
Maximum Current	460 Amps
Lubrication (gearbox)	Synthetic Grease
Compliance	SAE J706
Gearbox	3 Stage Planetary 210:01
Brake (electric release)	Spring applied multi disk
Remote Control	Wired 4.5m (15ft) Corded
Free spool	Multi position Pull & Turn
Drum	W 256.5 mm x Ø 90 mm
Weight (shipping)	53.5 kg (no rope)
Wire rope	3/8"(9.5mm) 7/16"(11mm)
Rope Length	45 metre (maximum)

Si-8 DC 12v Performance

Lbs Pull	Amps	Speed
0	100	11 M p/m (34 F p/m)
2000	175	6.1 M p/m (19 F p/m)
4000	265	4.3 M p/m (14 F p/m)
6000	345	3.2 M p/m (11 F p/m)
8000	460	2 M p/m (8.5 F p/m)

Line Speed (No Load)

Layer 1	11 M p/m (34 F p/m)
Layer 2	12 M p/m (39 F p/m)
Layer 3	13.7 M p/m (45 F p/m)
Layer 4	15.2 M p/m (50 F p/m)
Layer 5	17.1 M p/m (56 F p/m)



DIMENSION TABLE			
DRUM	A	B	C
NARROW	10.0 [254]	8.1 [204.9]	24.2 [614.68]
STANDARD	12.0 [304.8]	10.1 [256.5]	26.2 [665.48]
WIDE	14.0 [355.6]	12.1 [307.3]	28.2 [716.28]

standard drum for Australian supply

