

SUPERWINCH

TS66.7 (6700 kg) EN Industrial 24 Volt



Synthetic Rope



**Optional Cable
Tensioner**

or

Steel Rope



**Steel Fabricated Drum, Heat Insulated,
Suitable for Steel or Synthetic Ropes**

Optional Hawse or Roller Fairlead



**Protective Cast Alloy
Solenoid Housing.**

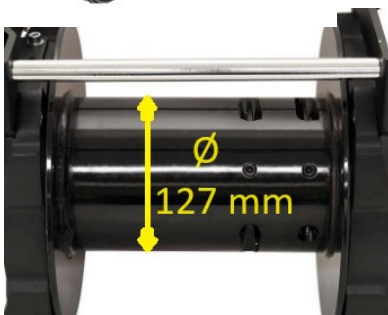
**Sealed Heavy Duty
Solenoid with 5 kW
6.5hp Motor**



**Flip Over Lever Freespool Release.
With safety flap**



**Heavy Duty 3 Stage
Steel Planetary Gearing
345:1 Gear Ratio**



**Larger Fabricated
Steel Drum.
Industrial EN**



**Hand Held
9.1 Metre
Toggle control**



**Optional Wireless Controls
Concealed Solenoid Box
Installation P/No 2278R
(24v)**